



Miniature Toggle Switches ESD proof

Specifications:

Contact rating:	20 V AC, 0,4 VA
Contact resistance:	< 10 mΩ
Insulation resistance:	> 1000 MΩ
Dielectric strength:	1000 V, 50 Hz for the duration of 1 minute
Operating temperature:	- 30° to + 85° C
Mechanical life:	minimum 30 000 operations
Contacts:	gold-plated over nickel barrier
Terminals:	solder tags or PC terminals
Material:	case: PA/PES meets UL 94 V-0, waterproof lever: PA meets UL 94 V-0, waterproof
Water proofing:	IP 67
Mounting:	bushing 1/4" (6,35 mm), with locking ring or on pc-board
Soldering conditions:	hand-soldering – max.: 5 sec, 350° C auto-soldering – max.: 10 sec, 260° C
ESD resistance:	> 8 kV (between lever and terminals)

Models:

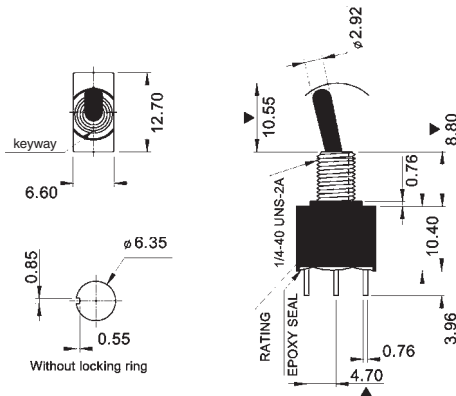
Switching positions: the closed contacts are opposite to the lever position

washable

SPDT

MZME 1 DB-ESD

on - on



SPDT

MZME 1 DB-PC-ESD

on - on

