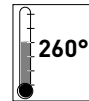


Tact Switches



Specifications:

Contact rating:	42 V AC/DC, 100 mA
Contact resistance:	< 100 mΩ
Insulation resistance:	> 1000 MΩ bei 100 V DC
Dielectric strength:	250 V DC, 50 Hz for the duration of 1 minute
Operating temperature:	-40° to +80° C
Mechanical life:	1 000 000 operations
Contacts:	gold-plated
Terminals:	terminal pin, copper alloy, gold-plated
Water proofing:	IP 67
Material:	case: PA6, washable button: TPE-S
Mounting:	on PC-board, TSSE 12 S: SMD

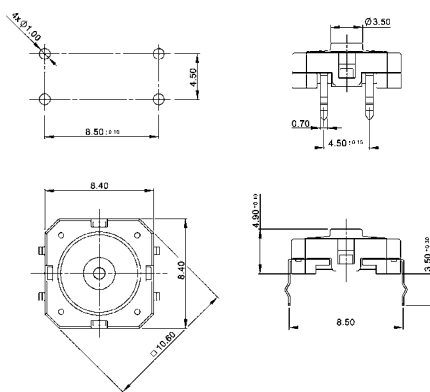
3

Models:

Switching functions

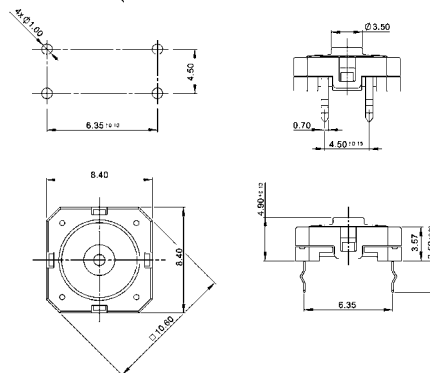
TSE 8 S

off - mom



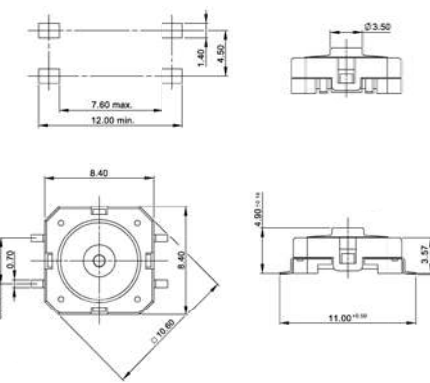
TSE 8 S-1

off - mom

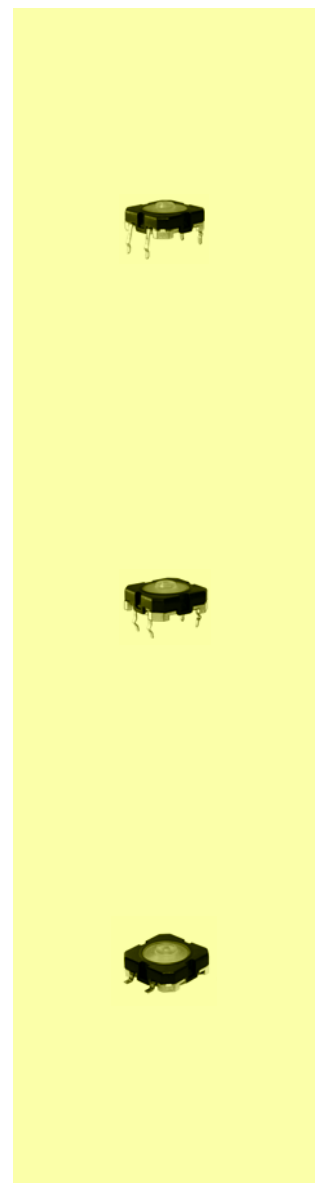


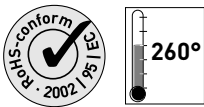
TSSE 8 S

off - mom



washable





Tact Switches

Specifications:

Contact rating:	42 V AC/DC, 100 mA
Contact resistance:	< 100 mΩ
Insulation resistance:	> 1000 MΩ bei 100 V DC
Dielectric strength:	250 V DC, 50 Hz for the duration of 1 minute
Operating temperature:	-40° to +80° C
Mechanical life:	1 000 000 operations
Contacts:	gold-plated
Terminals:	terminal pin, copper alloy, gold-plated
Water proofing:	IP 67
Material:	case: PA46 / PA6T, washable button: silicon caoutchouc
Mounting:	on PC-board, TSSE 12 S: SMD

3

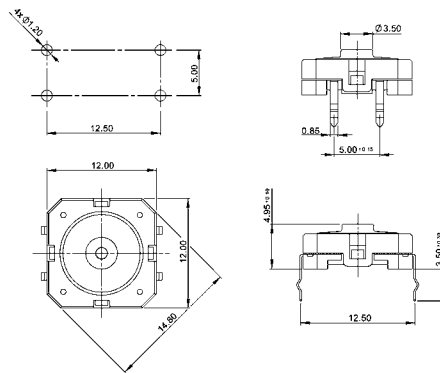
washable

Models:

Switching functions

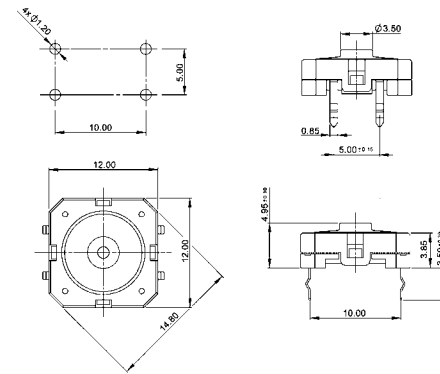
TSE 12 S

off - mom



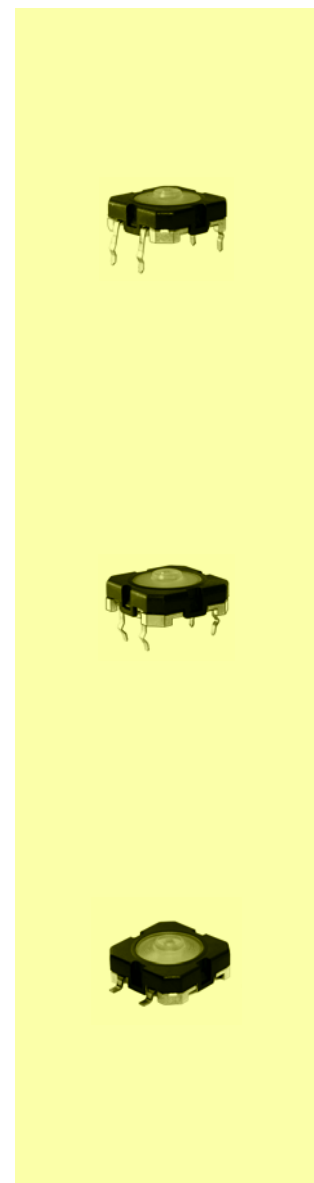
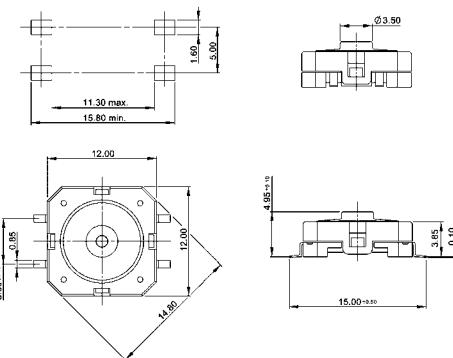
TSE 12 S-1

off - mom



TSSE 12 S

off - mom



Tact Switches

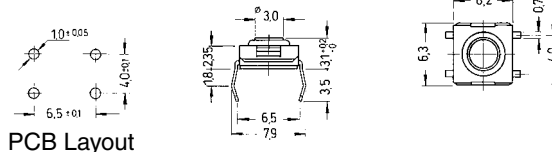
Specifications:

Contact rating:	12 V DC, 50 mA
Contact resistance:	< 100 mΩ
Insulation resistance:	> 100 MΩ at 500 V DC
Dielectric strength:	250 V, 50 Hz for the duration of 1 minute
Operating temperature:	- 40° to + 70° C
Electrical life:	TSE 66/68 minimum 100 000 cycles TSE 69 minimum 500 000 cycles
Operating force:	see ordering code
Contacts:	phosphor bronze, silver-plated
Terminals:	PC terminals brass, silver-plated
Material:	cover: stainless steel base: high-temp. nylon meets UL 94 V-0, washable stem: TSE 66: nylon – TSE 68/69: silicone rubber
Water proofing:	IP 57
Mounting:	on pc-board
Soldering conditions:	hand-soldering – max.: 30 W, 2 sec, 320° C auto-soldering – max.: 5 sec, 260° C subject to PCB 1,6 mm thickness

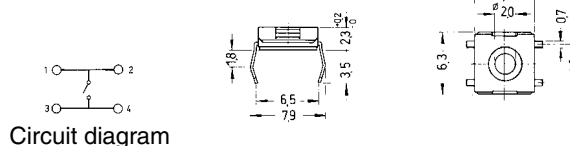
Packing: 75 pcs/tube

Models:

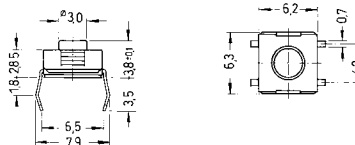
TSE 66 □



TSE 68 □



TSE 69 □

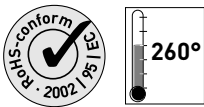


washable



Ordering code:

	TSE	□	□	□	
Dimension					Colour of stem for operating force:
66	3,1 mm, travel: 0,25 + 0,2/- 0,1				S 1,6 N, silver
68	2,3 mm, travel: 0,25 + 0,2/- 0,1				N 1,6 N, brown
69	3,8 mm, travel: 0,45 ± 0,2				R 2,6 N, red
69	3,8 mm, travel: 0,45 ± 0,2				N 2,6 N, red

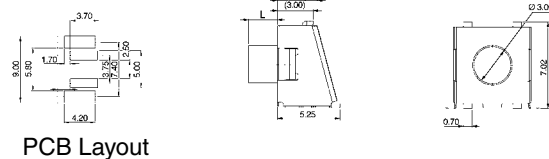


Specifications:

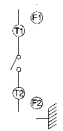
Contact rating:	12 V DC, 50 mA
Contact resistance:	< 100 mΩ
Insulation resistance:	> 100 MΩ
Dielectric strength:	250 V AC (50 Hz or 60 Hz) for 1 minute
Operating temperature:	- 25° to + 70° C
Operating force:	see ordering code
Mechanical life:	minimum 500 000 cycles
Cover:	nickel, silver-plated
Case:	high-temp. PA 9T UL 94 V-0, black
Stem:	silicone
Contacts:	phosphor bronze, silver-plated
Terminals:	brass, silver-plated
Water proofing:	IP 57
Packing:	on tapes – see ordering code

Models:

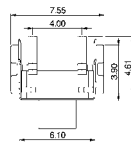
TSSE 6 -RA



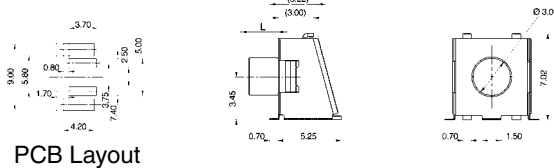
PCB Layout



Circuit diagram

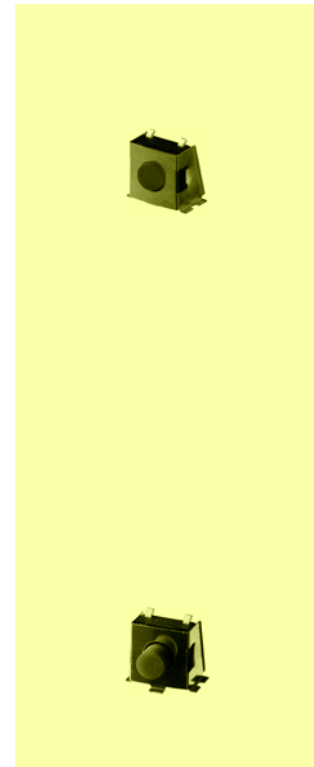


TSSE 6 -RA-1



PCB Layout

washable



Ordering code:

TSSE 6 -RA

Actuator height (L):

<input type="checkbox"/> 00	0 mm	700 pcs / reel
<input type="checkbox"/> 08	0,8 mm	700 pcs / reel
<input type="checkbox"/> 10	1,0 mm	700 pcs / reel
<input type="checkbox"/> 23	2,35 mm	700 pcs / reel
<input type="checkbox"/> 33	3,3 mm	500 pcs / reel

<input type="checkbox"/> N	1,8 N (brown)
<input type="checkbox"/> R	2,6 N (red)

<input type="checkbox"/>	No support terminals
<input type="checkbox"/> 1	With support terminals

Further types on request